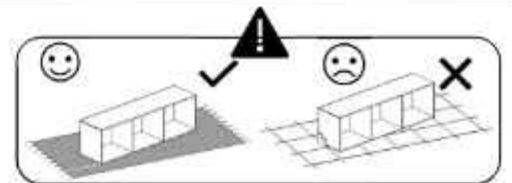
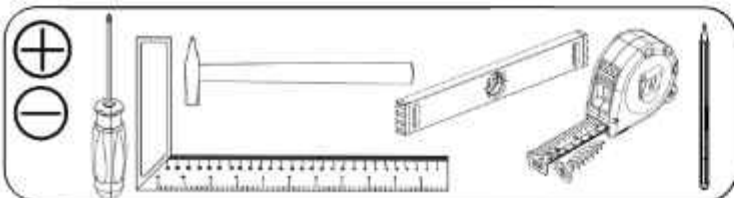
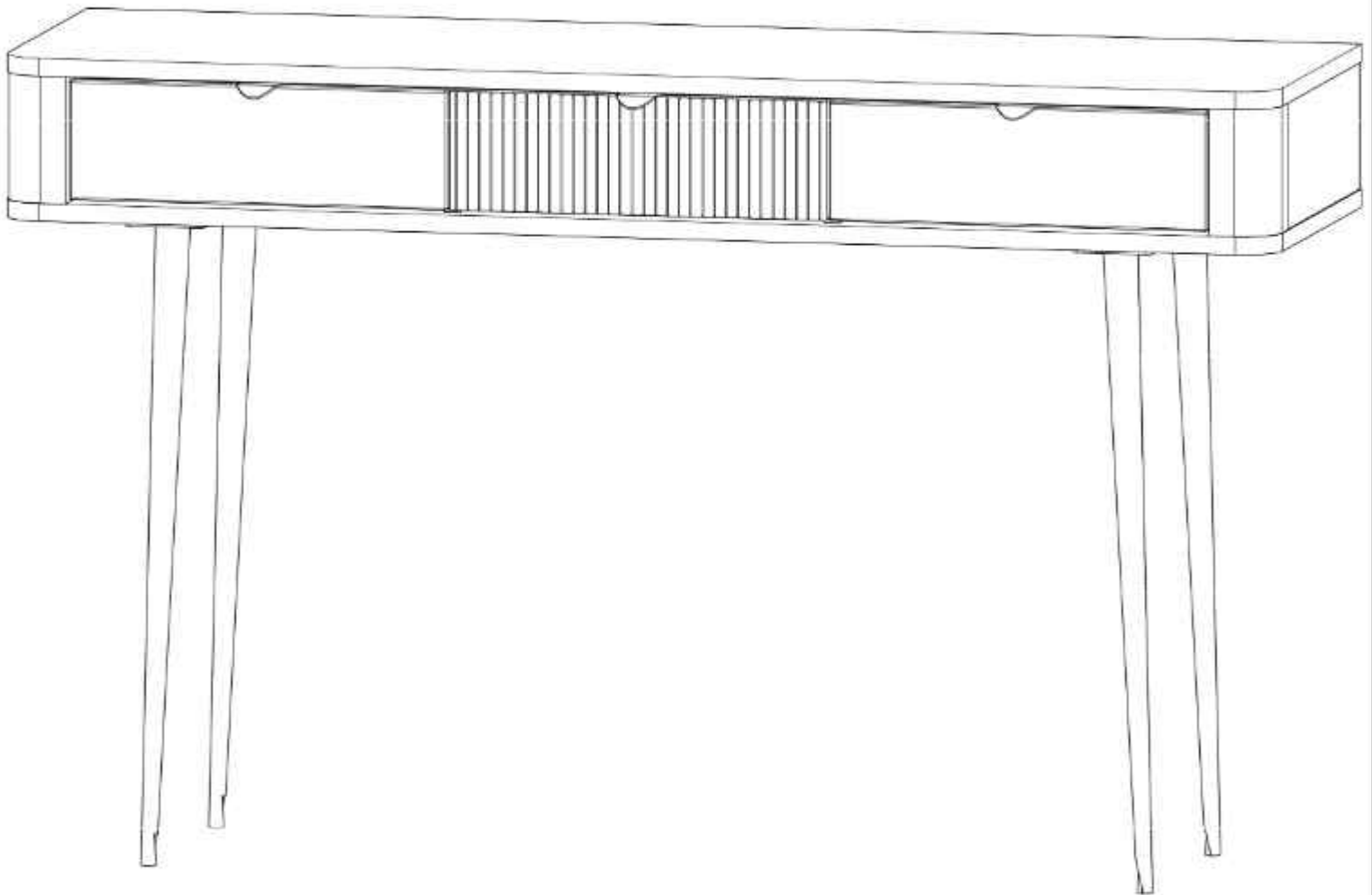
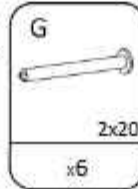
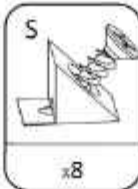
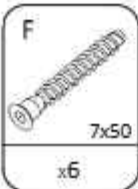
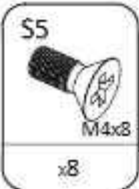
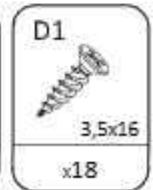
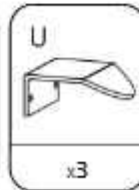
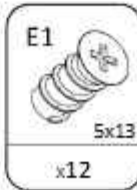
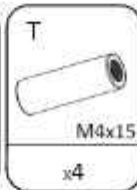
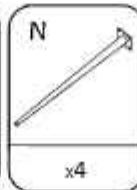
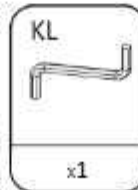
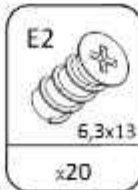
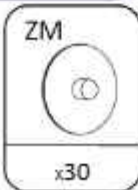
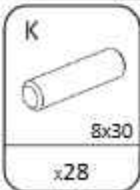
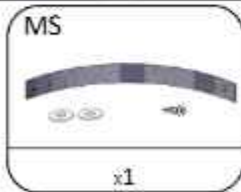
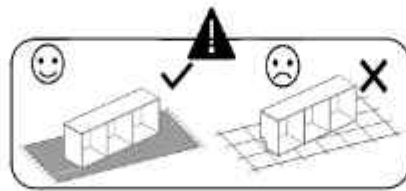
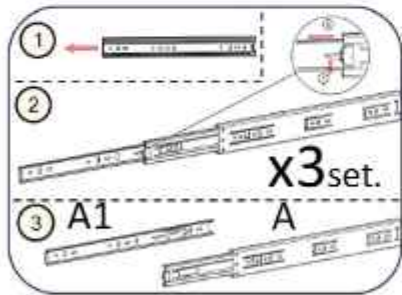
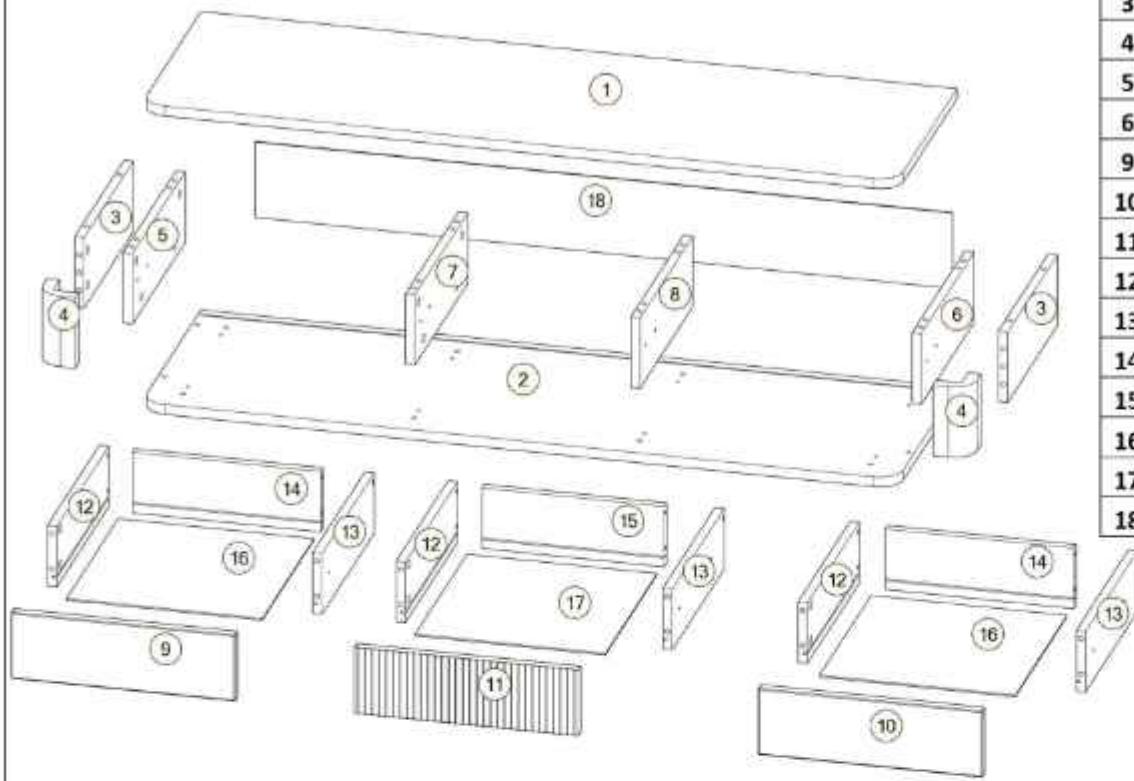


MARLY

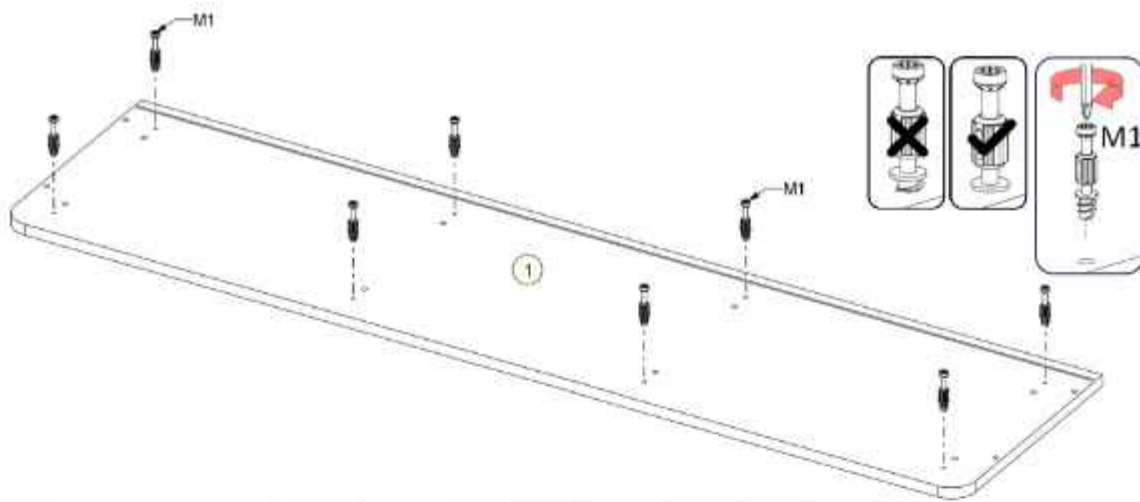
R-15



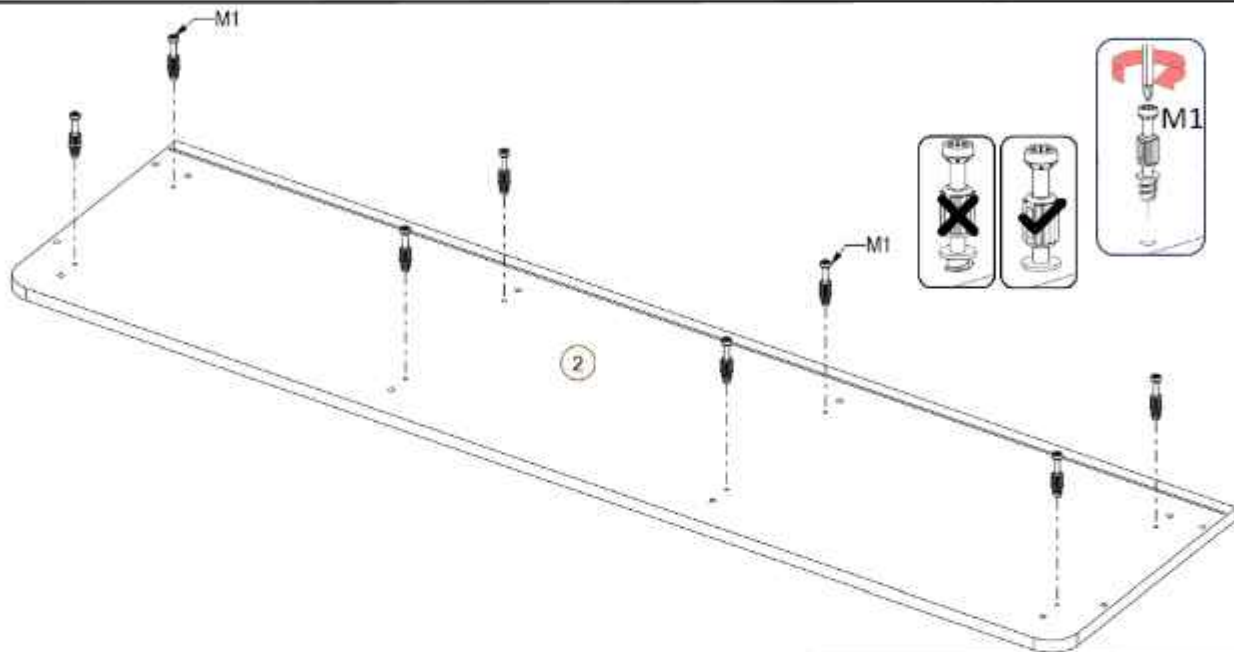
No	T(mm)	L(mm)	W(mm)	pcs.
1	18	1302	400	1
2	18	1302	400	1
3	16	128	333	2
4	66	128	66	2
5	16	128	355	2
6	16	128	355	2
9	18	120	386	1
10	18	120	386	1
11	18	120	384	1
12	16	350	110	3
13	16	350	110	3
14	16	324	110	2
15	16	314	110	1
16	3	337	346	2
17	3	327	346	1
18	3	1200	137	1



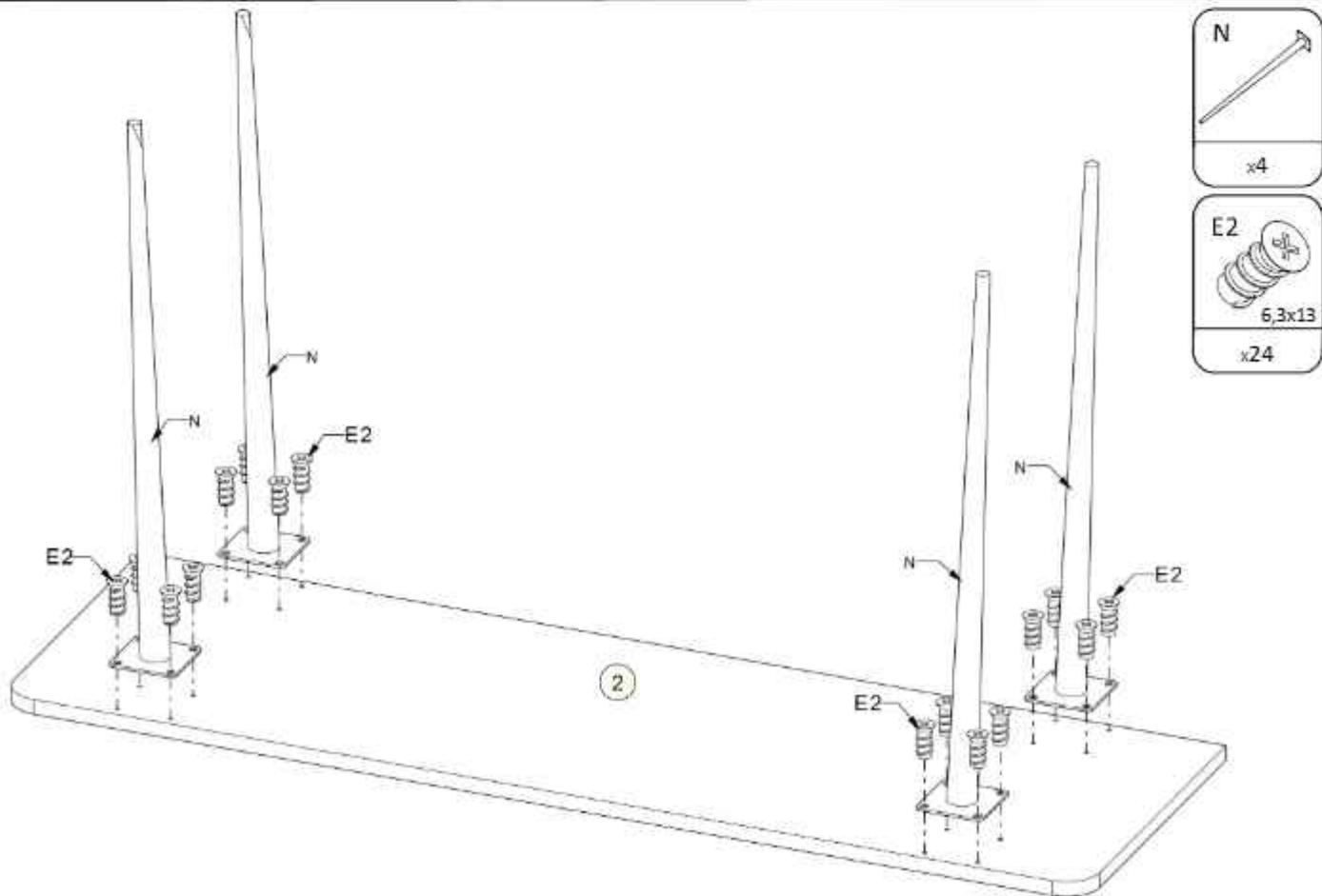
1



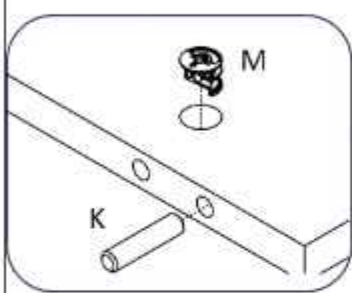
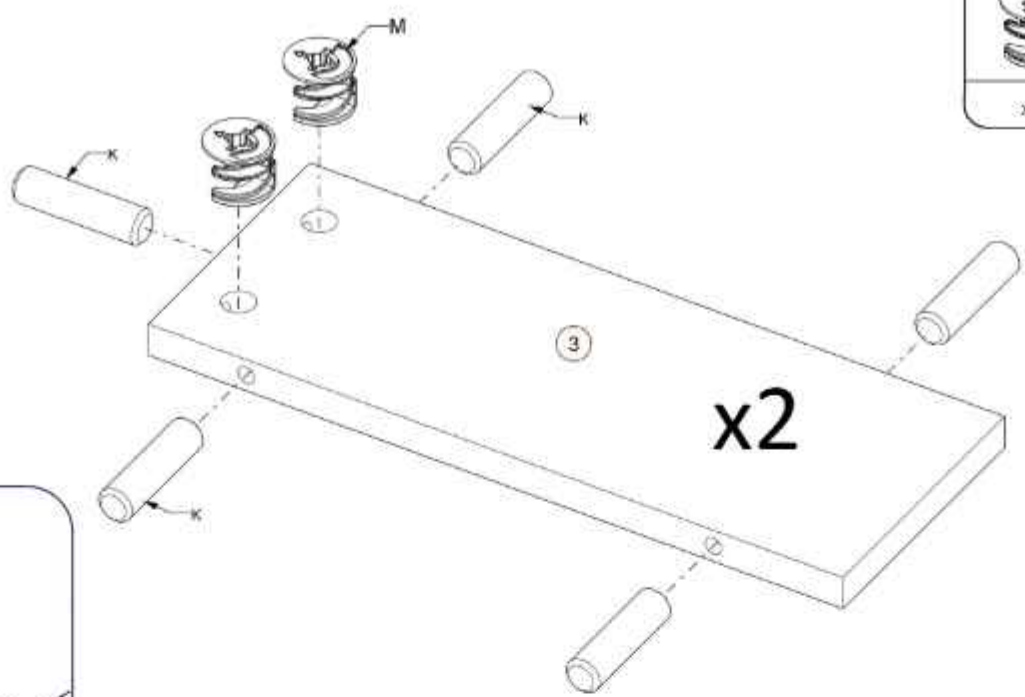
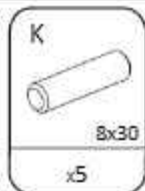
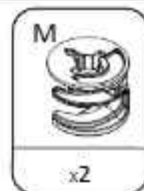
2



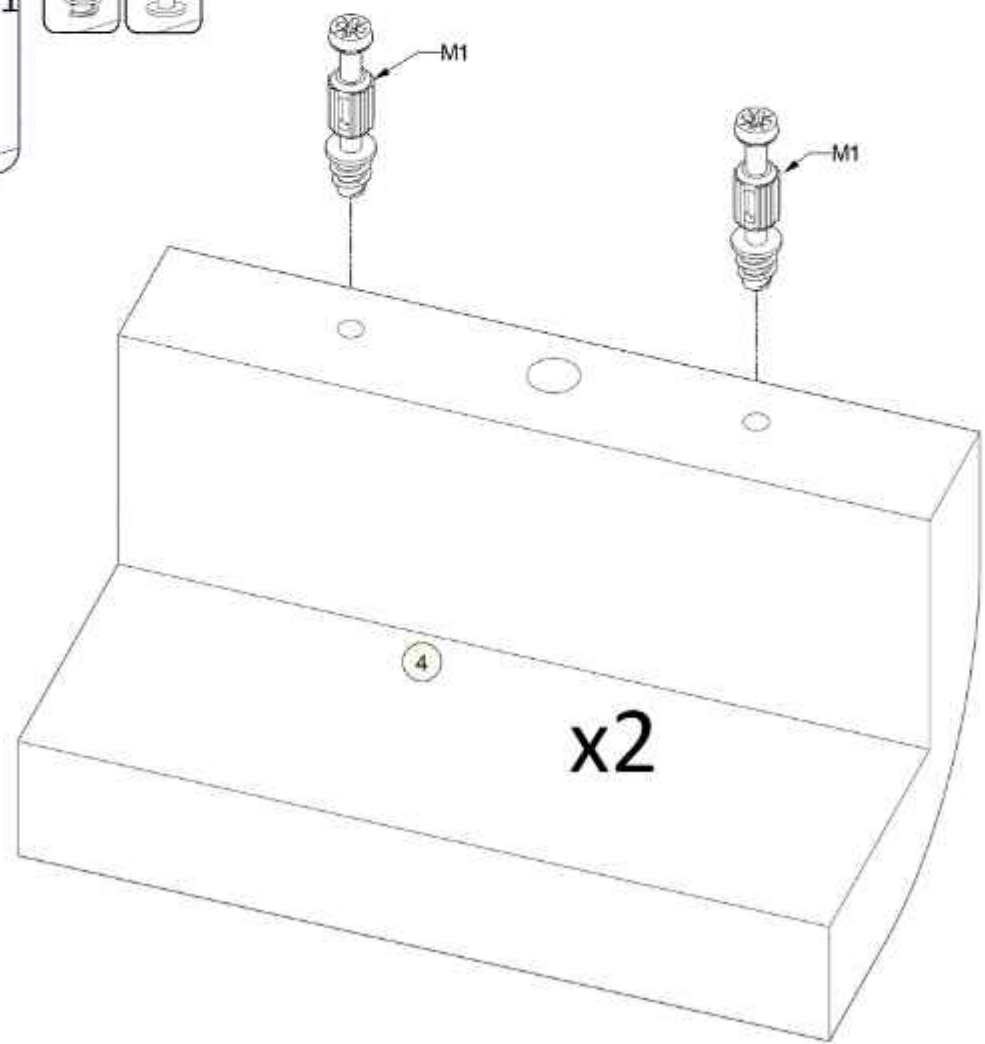
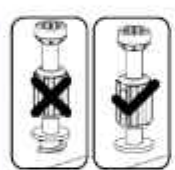
3







4

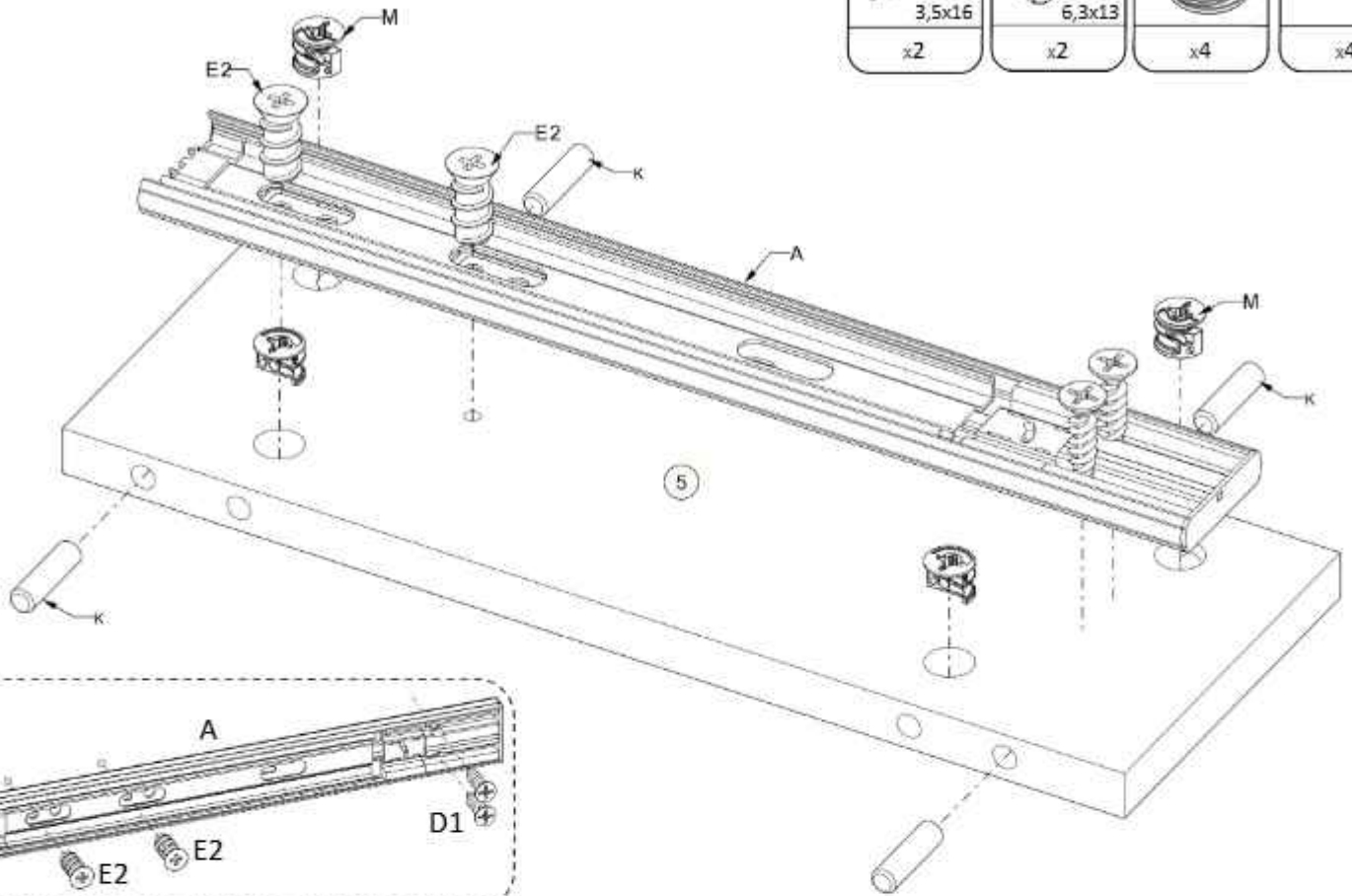


5







6

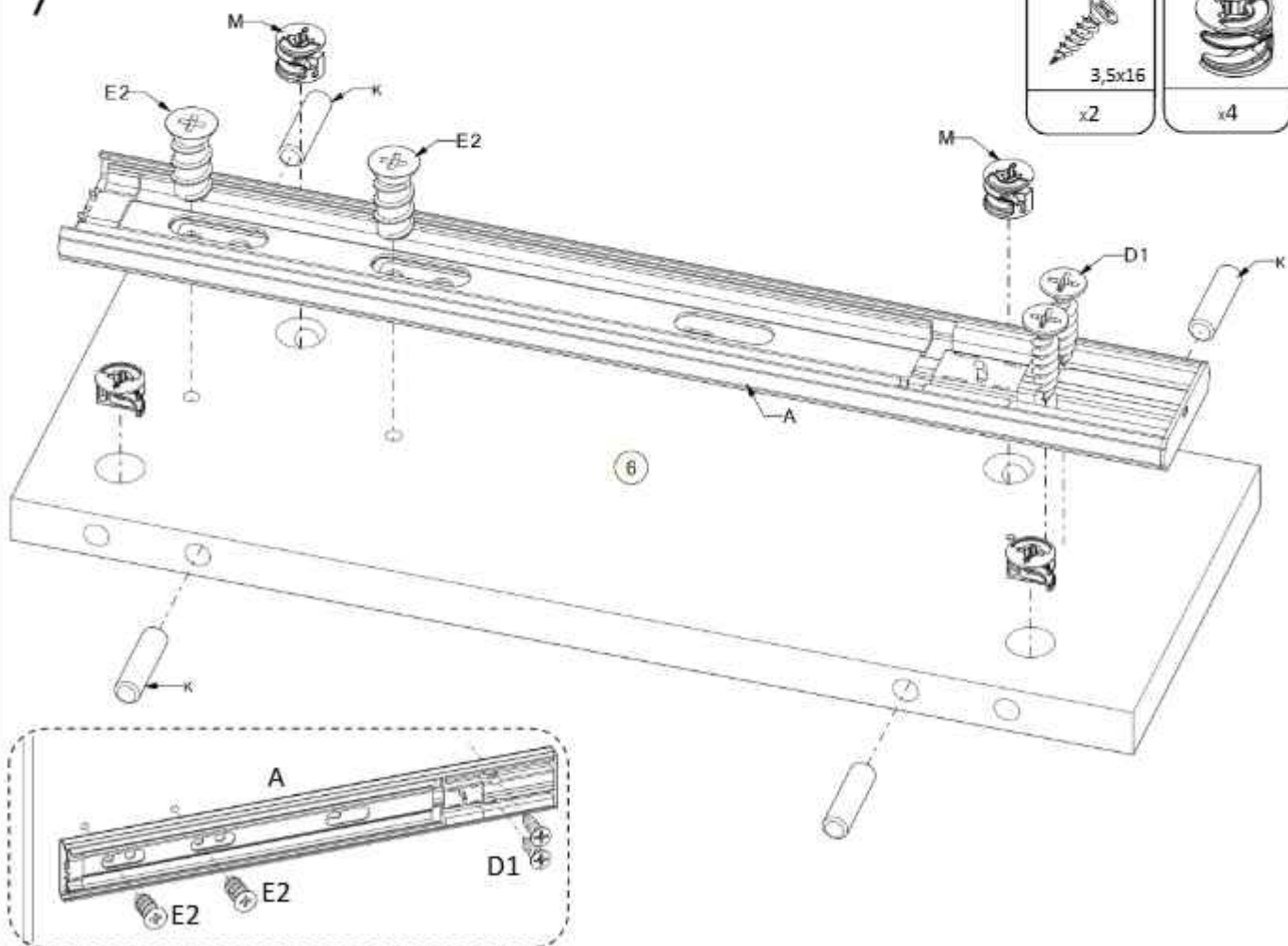
D1	E2	M	K
			
3,5x16	6,3x13		8x30
x2	x2	x4	x4



7

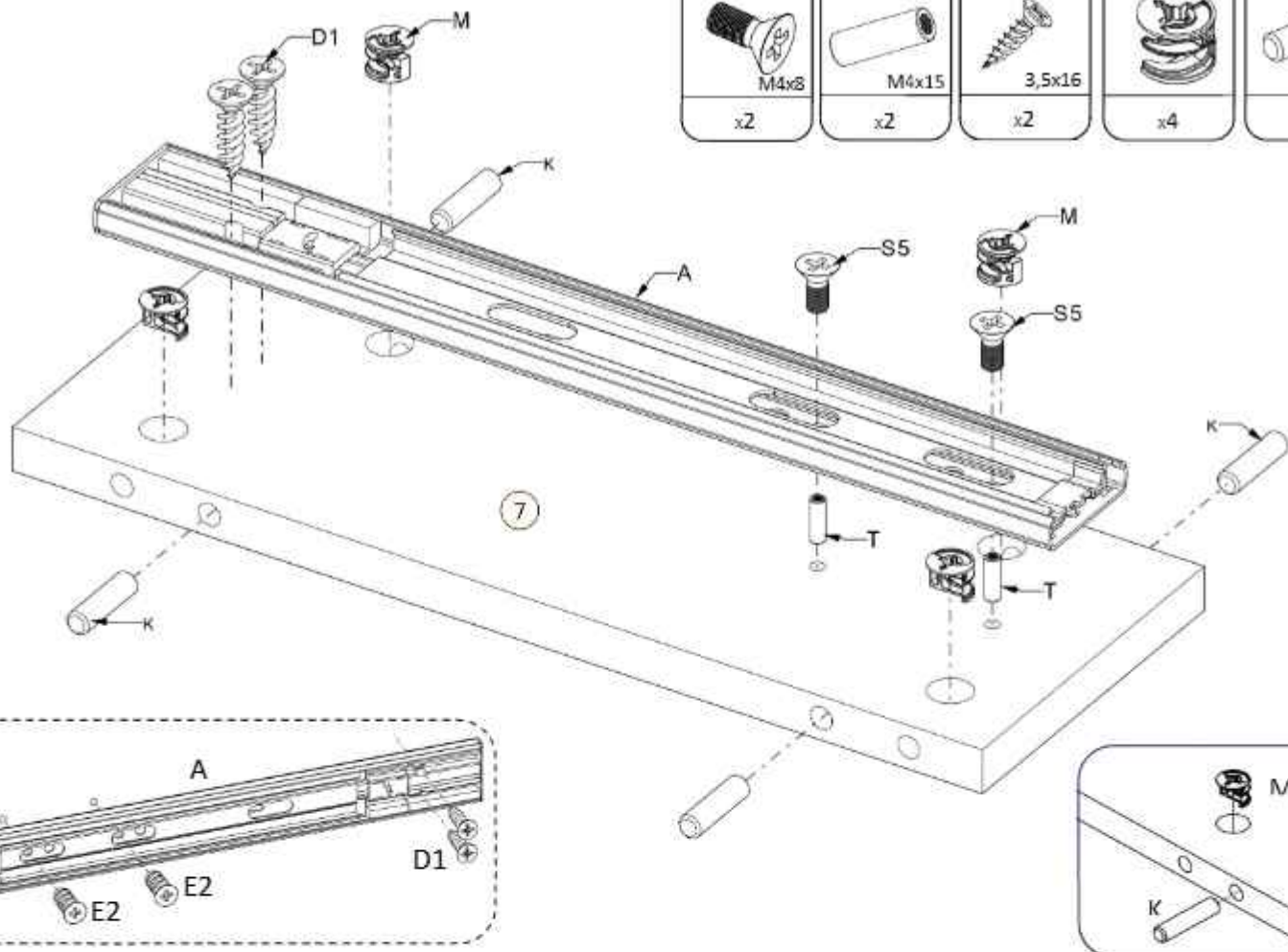
D1	M	K
		
3,5x16		8x30
x2	x4	x4

E2

6,3x13
x2



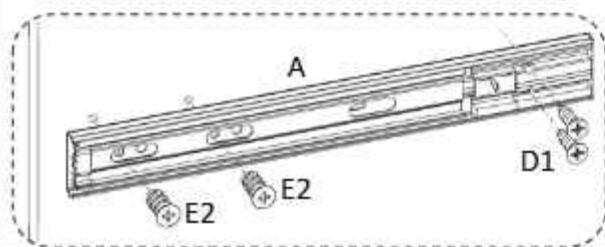
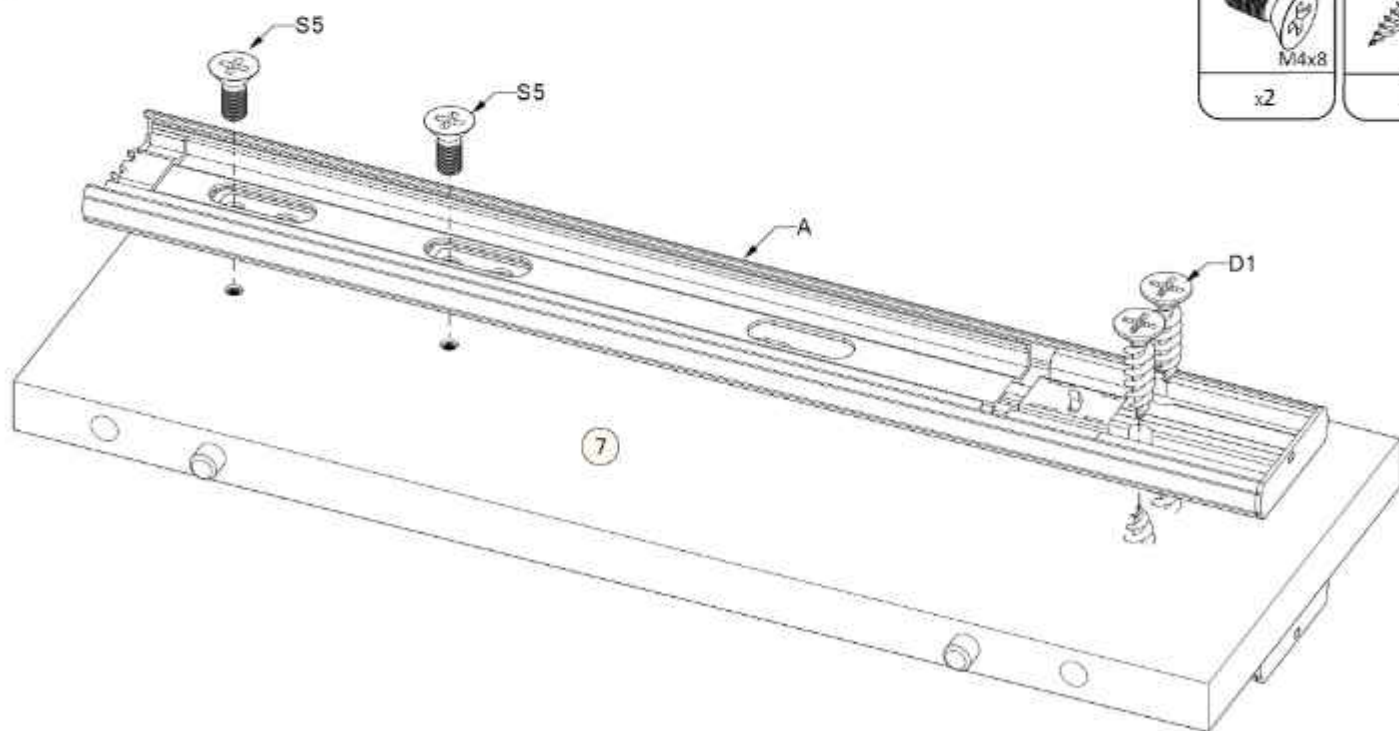
8

S5 M4x8 x2	T M4x15 x2	D1 3,5x16 x2	M x4	K 8x30 x4
------------------	------------------	--------------------	---------	-----------------








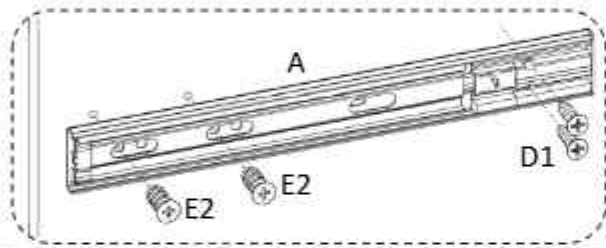
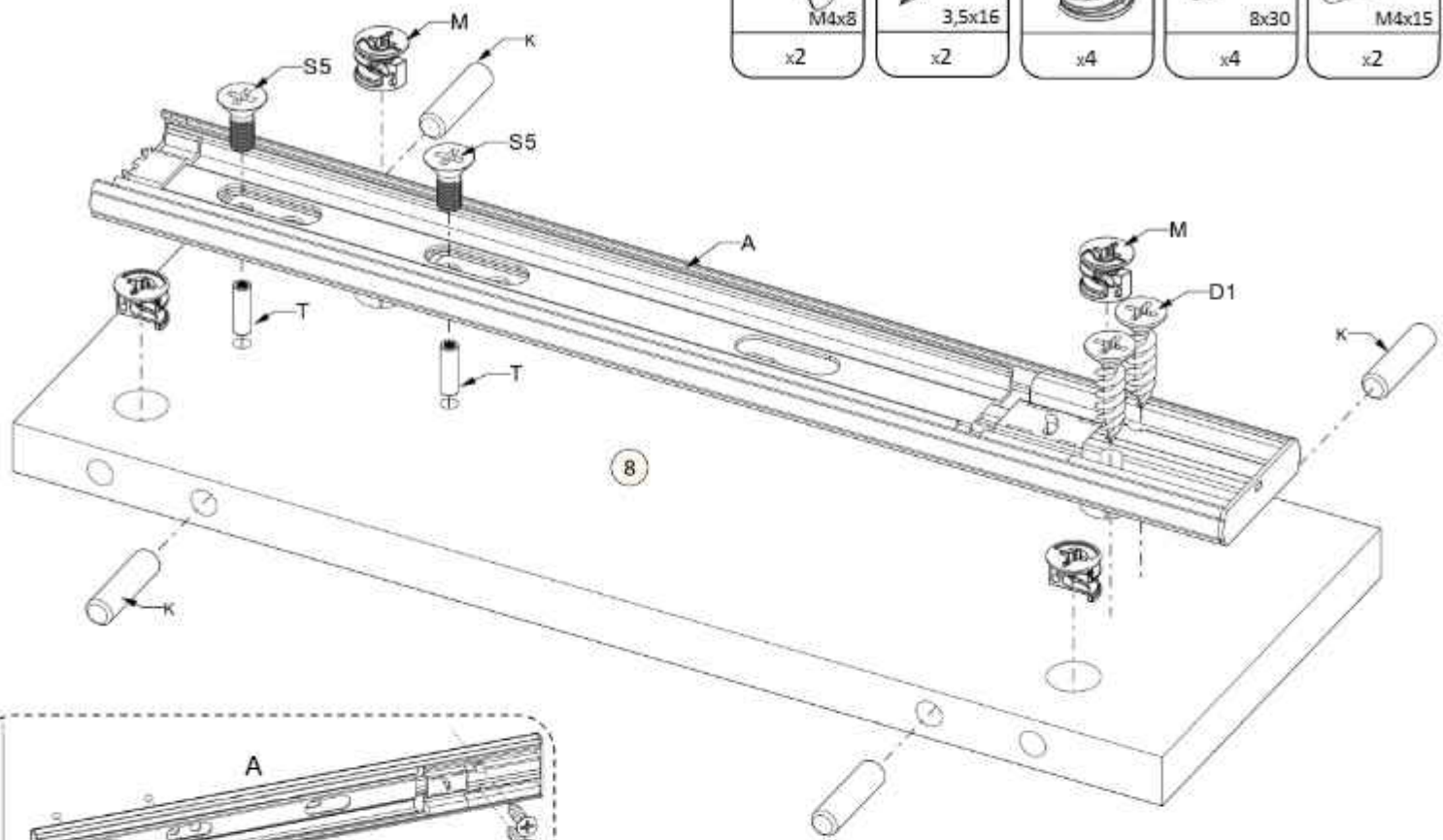
9

S5 M4x8 x2	D1 3,5x16 x2
------------------	--------------------





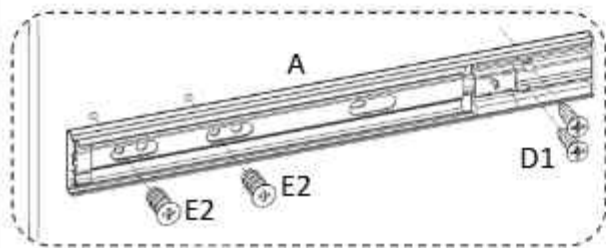
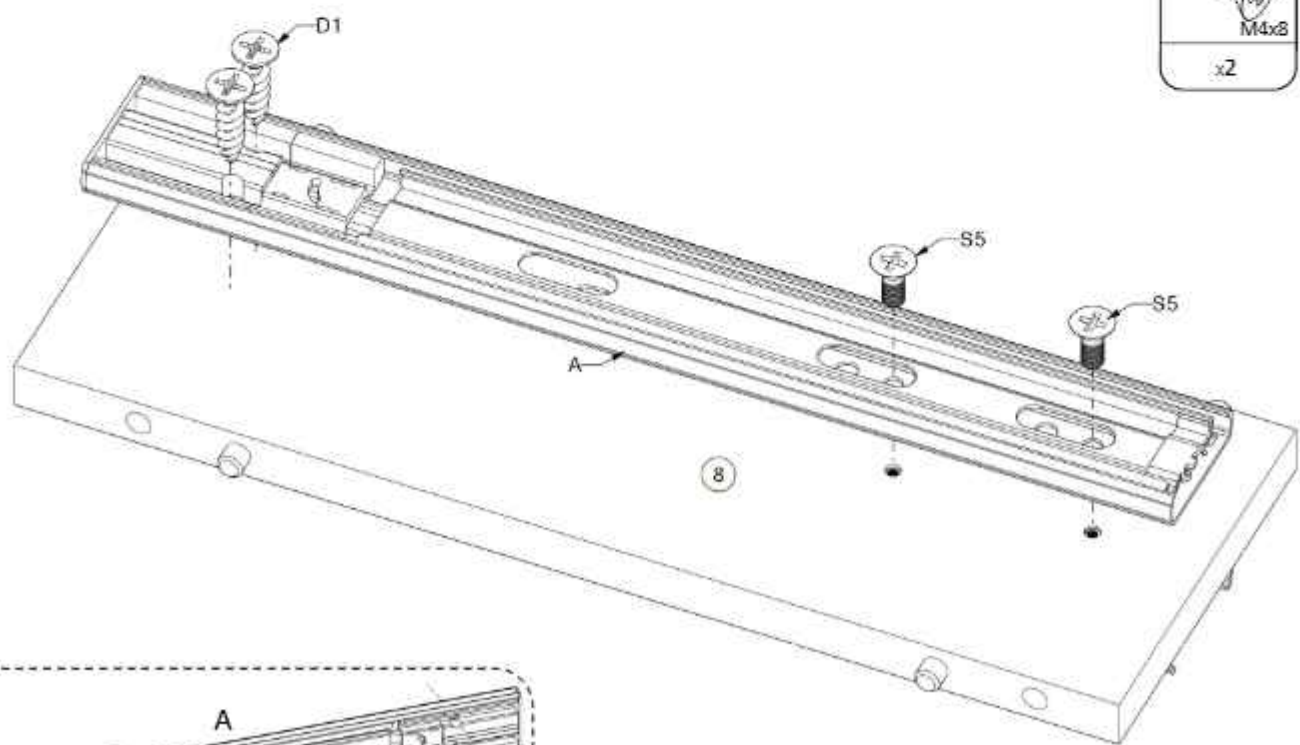
10

S5  M4x8 x2	D1  3,5x16 x2	M  x4	K  8x30 x4	T  M4x15 x2
--	---	---	---	--

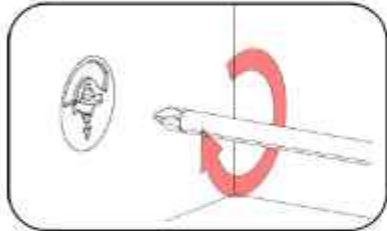
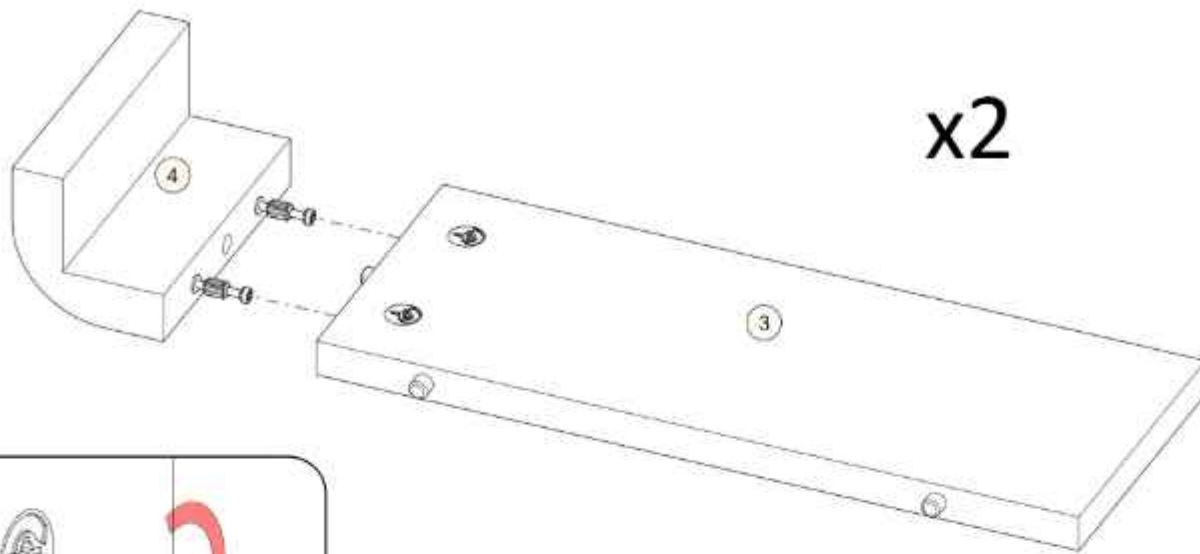


11

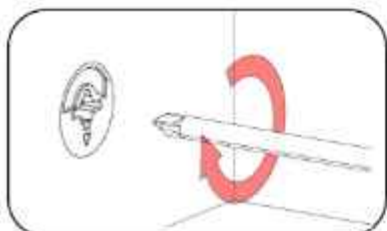
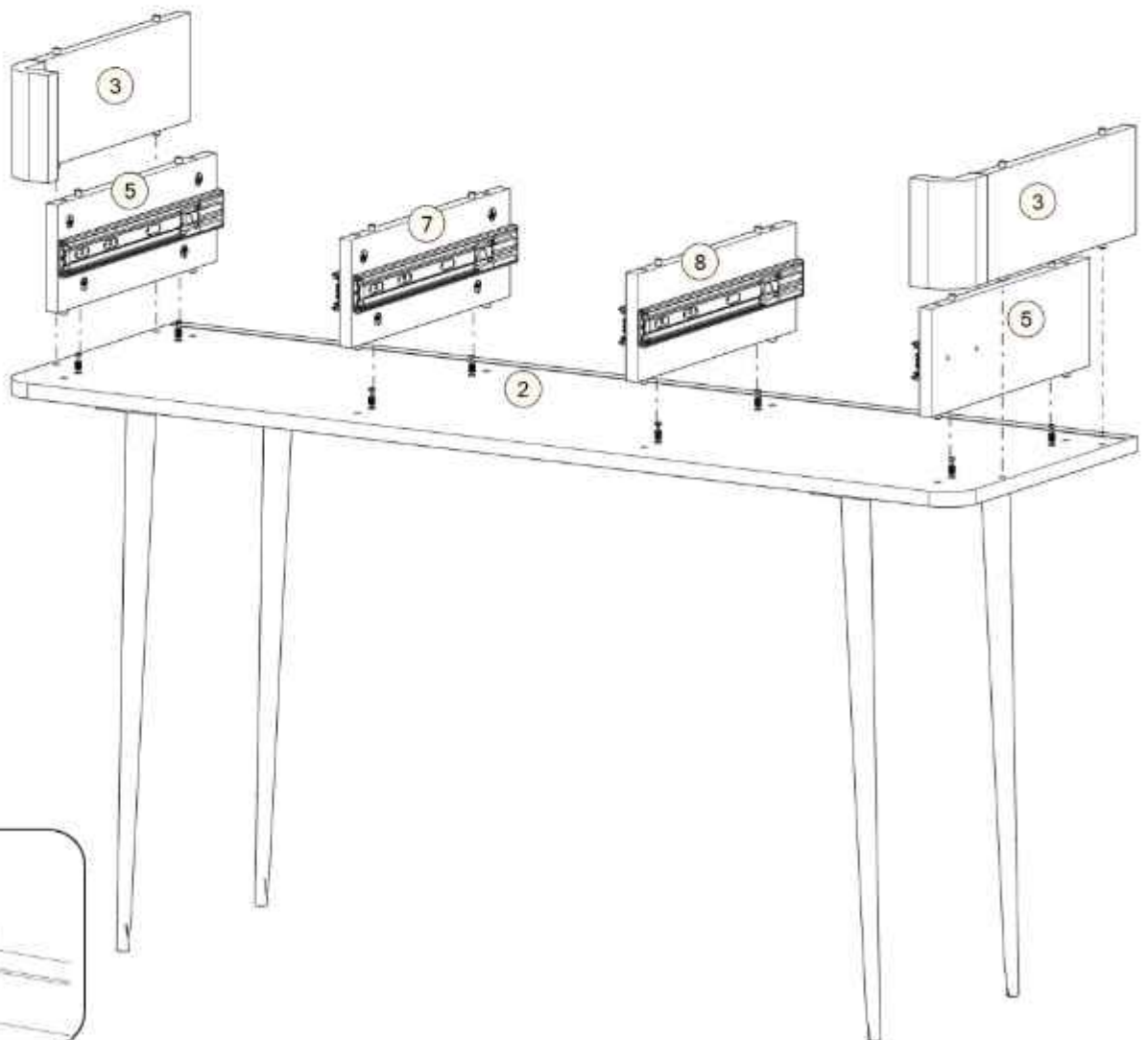
S5  M4x8 x2	D1  3,5x16 x2
--	--



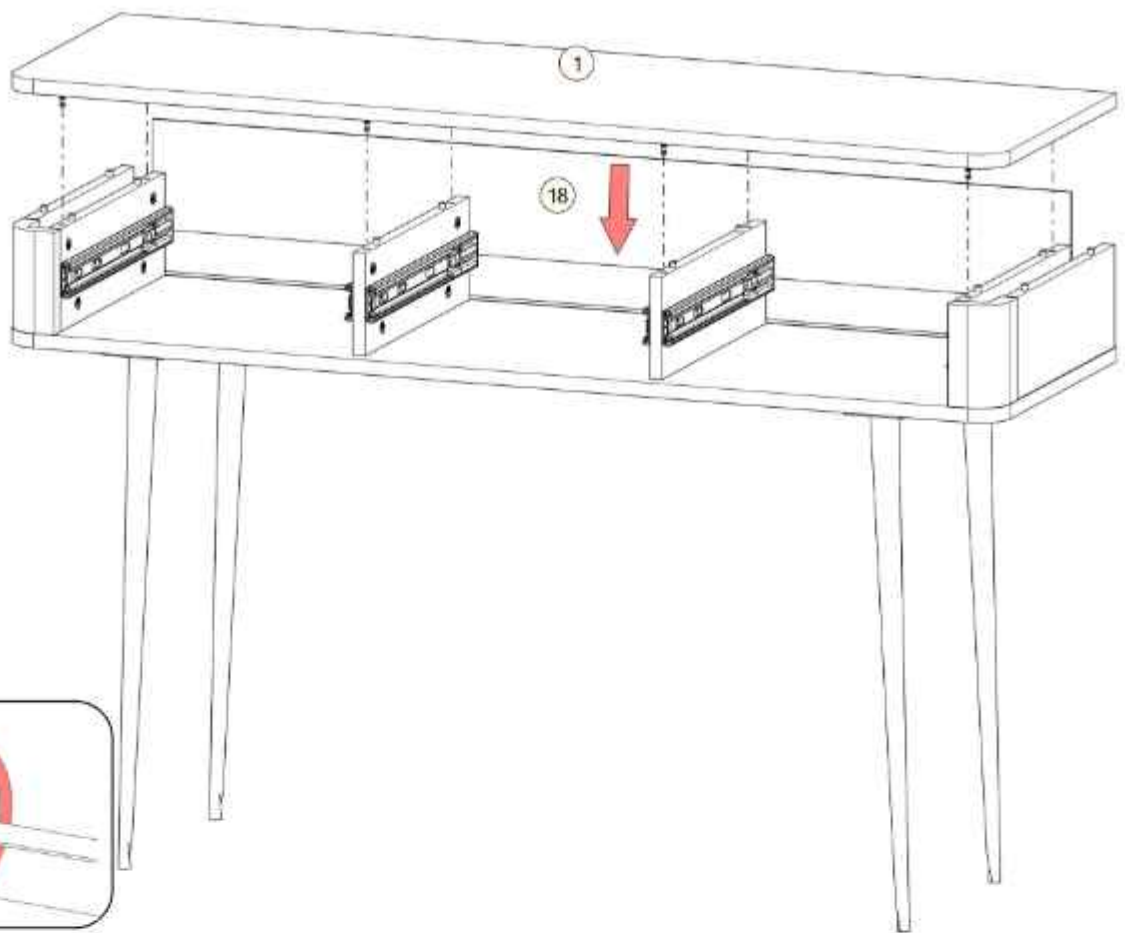
12



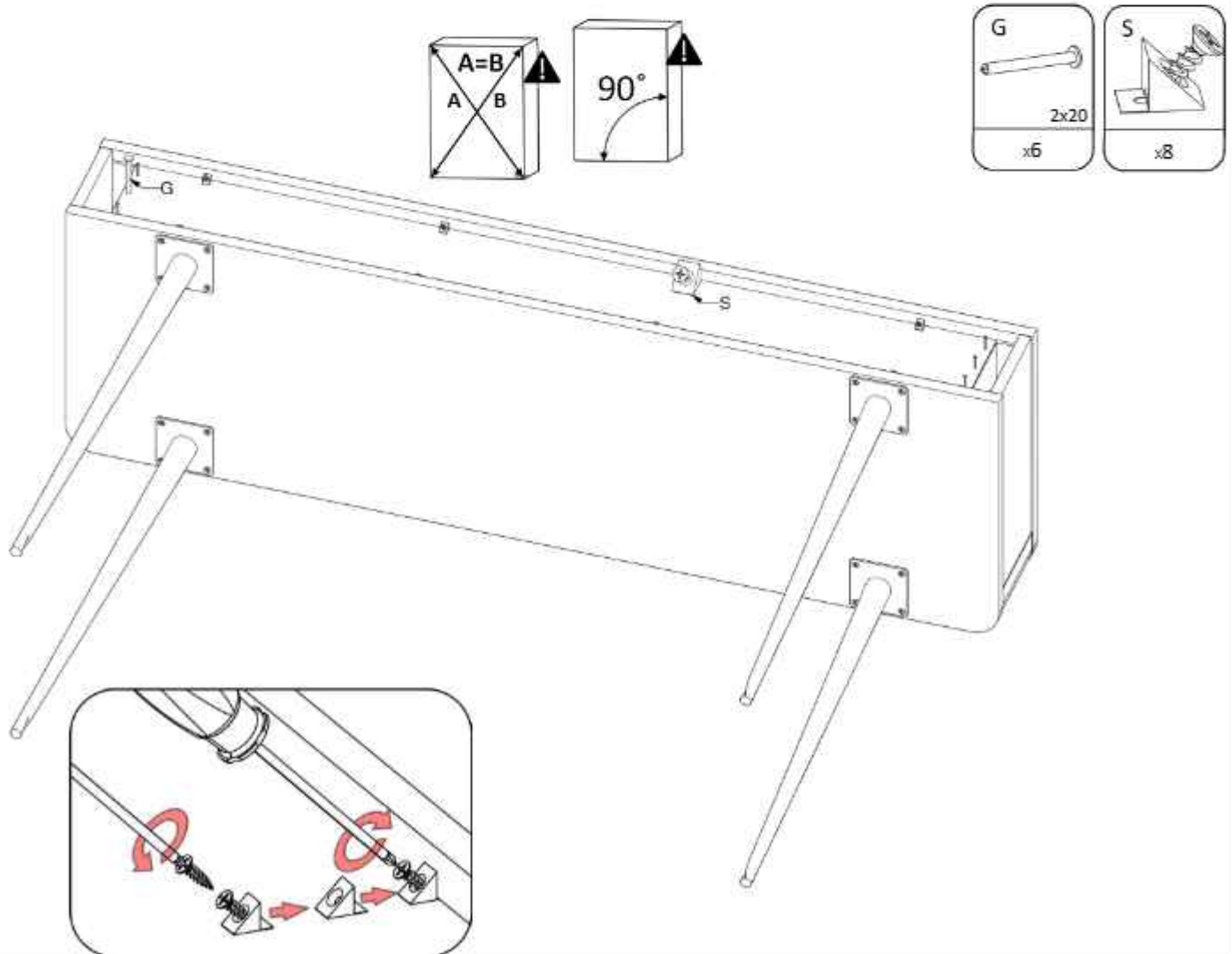
13



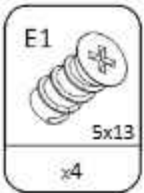
14



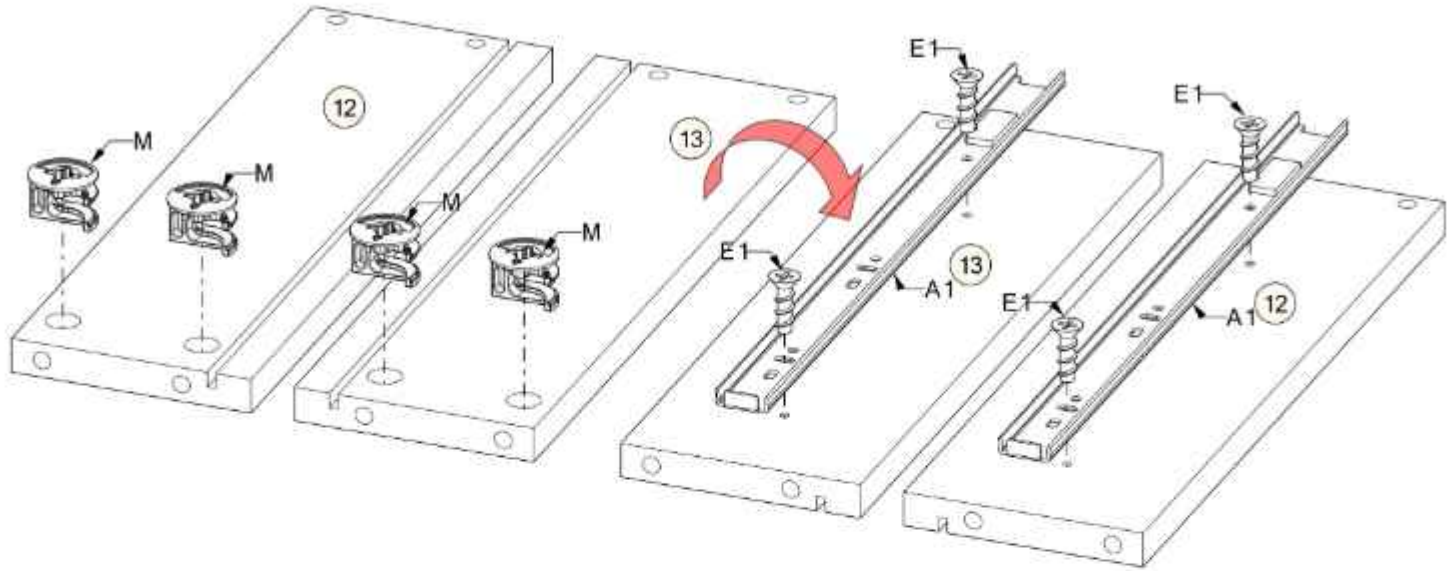
15



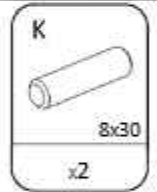
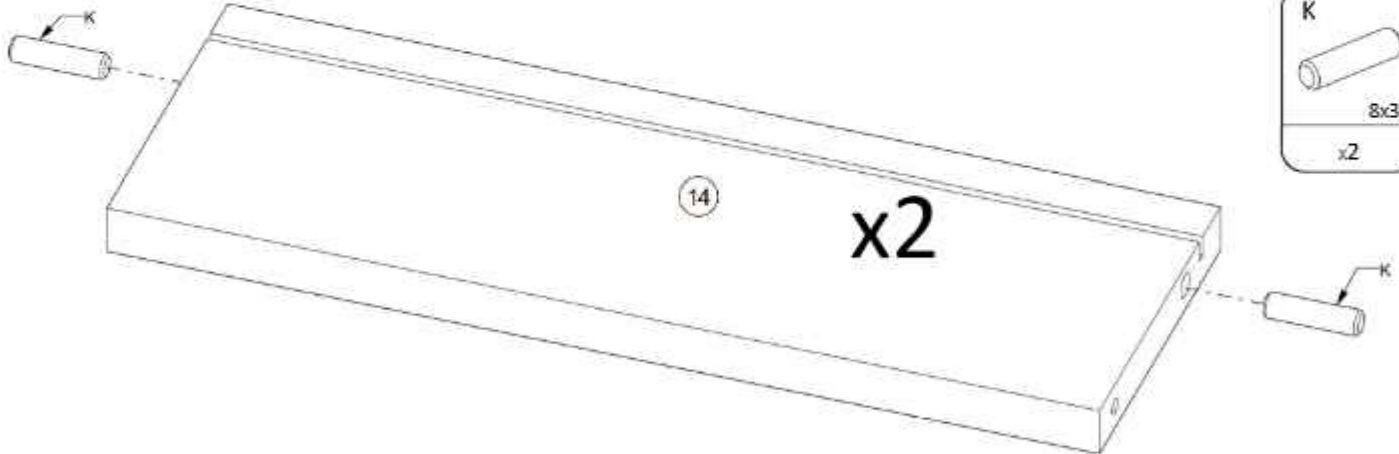
16



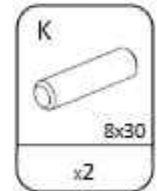
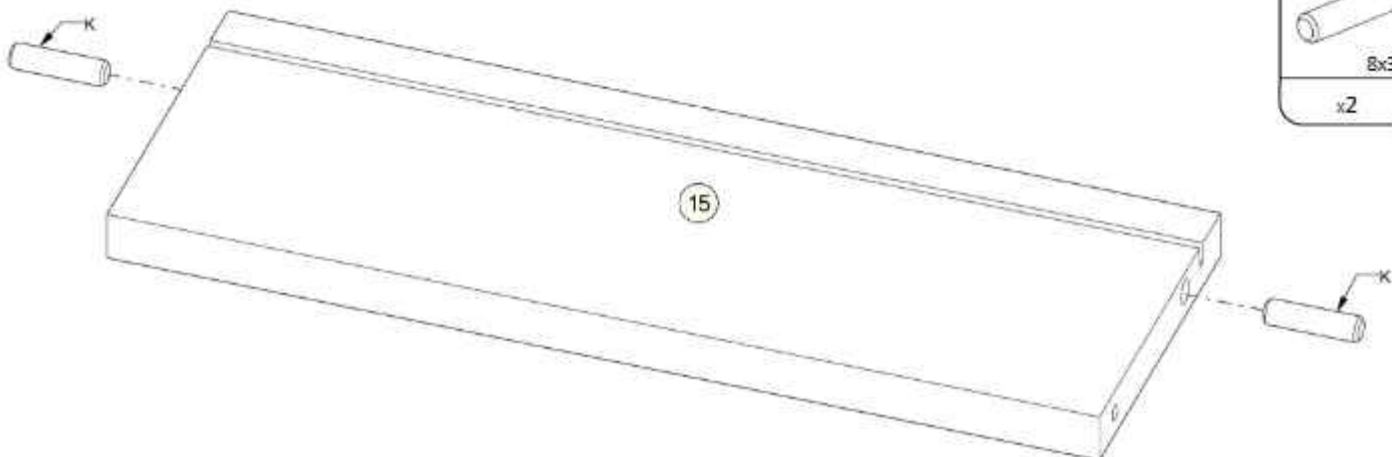
x3



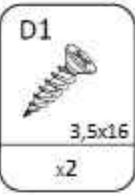
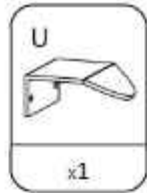
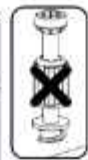
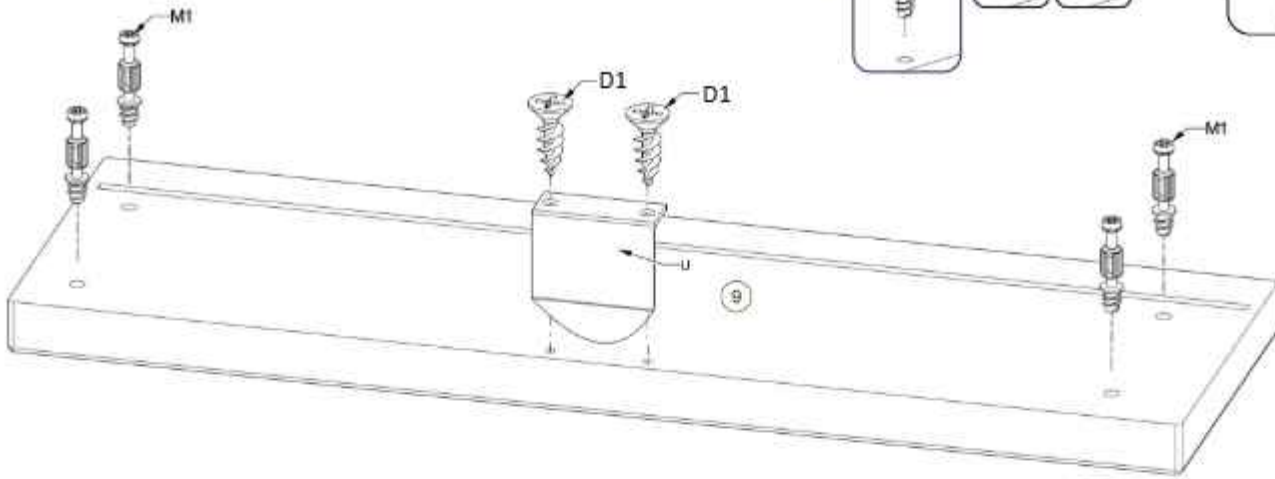
17



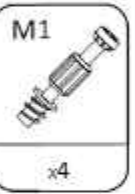
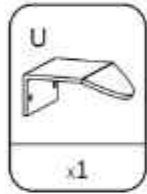
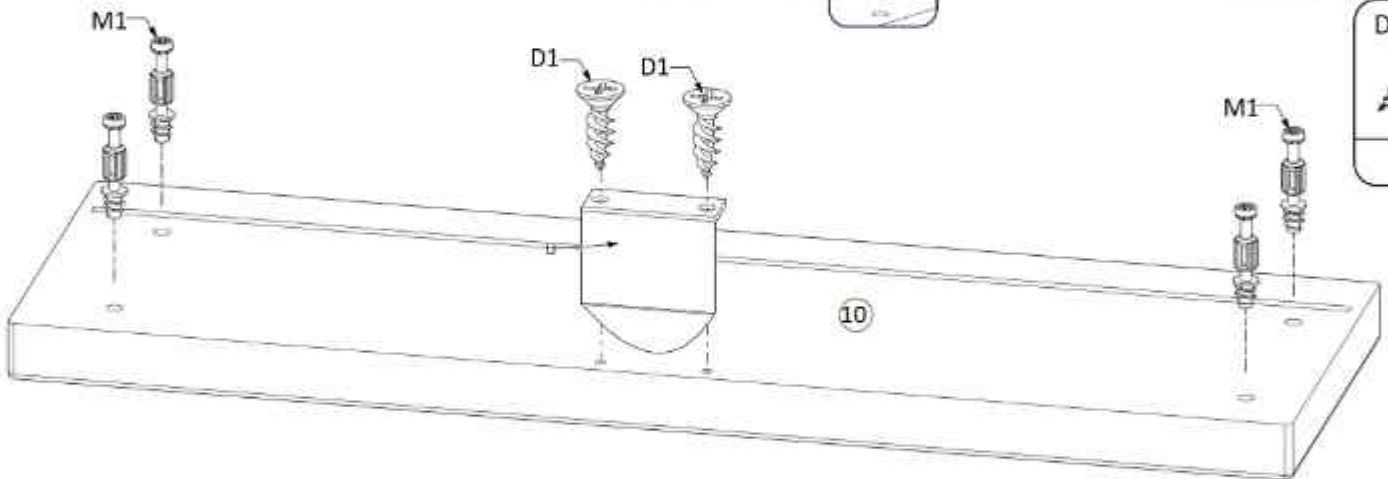
18



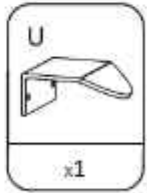
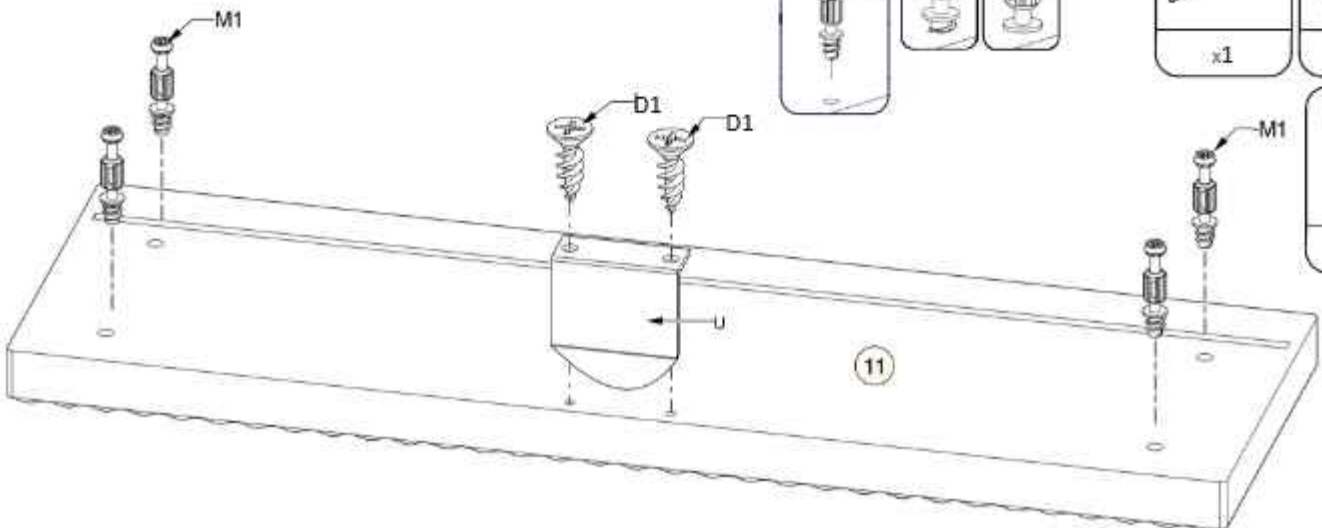
19



20

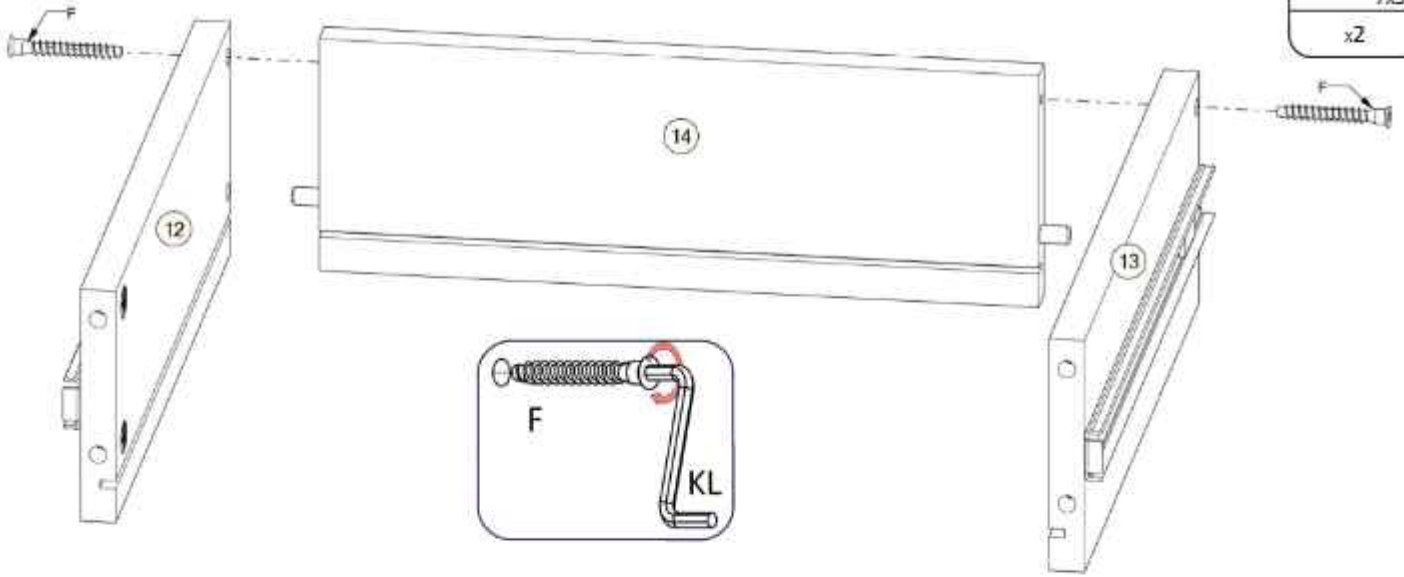


21

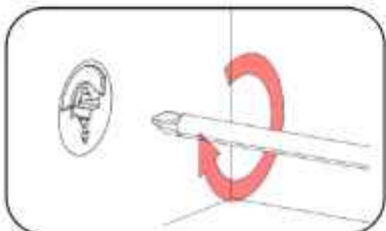
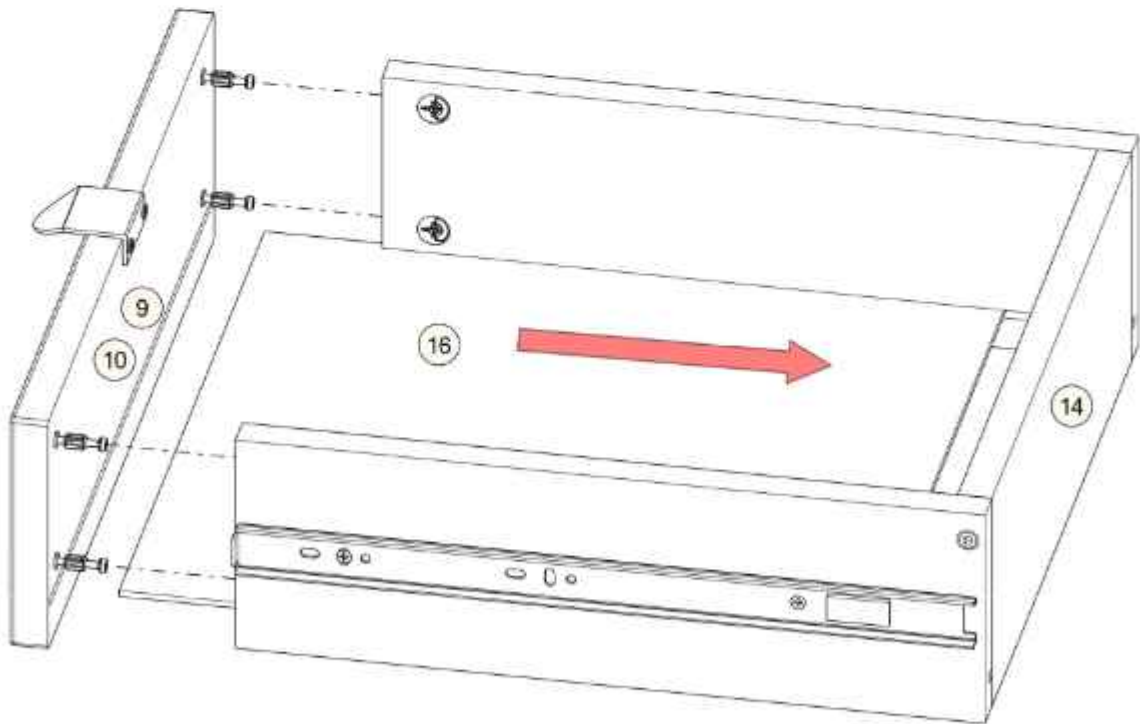


22

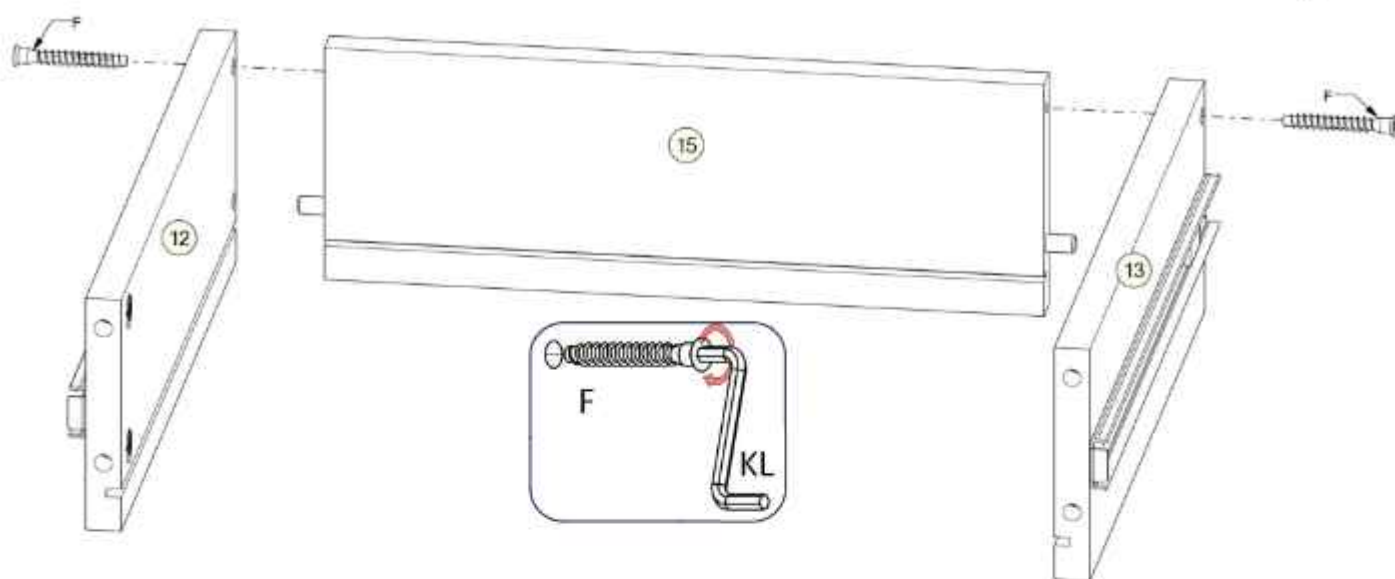
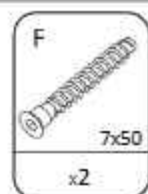
x2



23



24



25

